

M/F Long Handle Gas Ball Valves

BV71

Application:

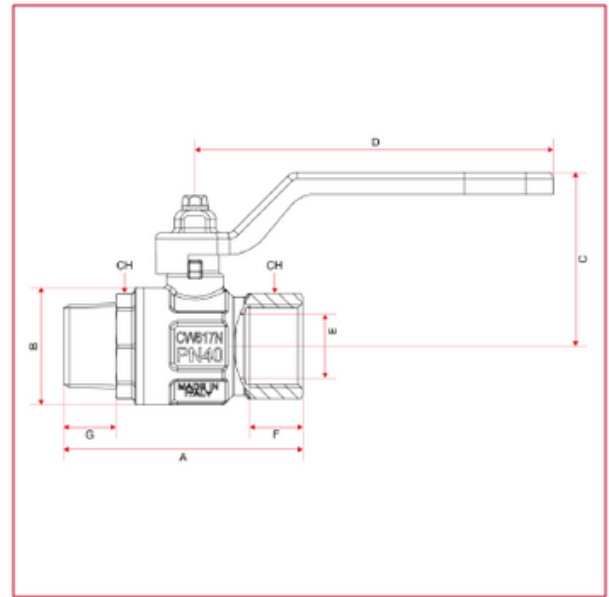
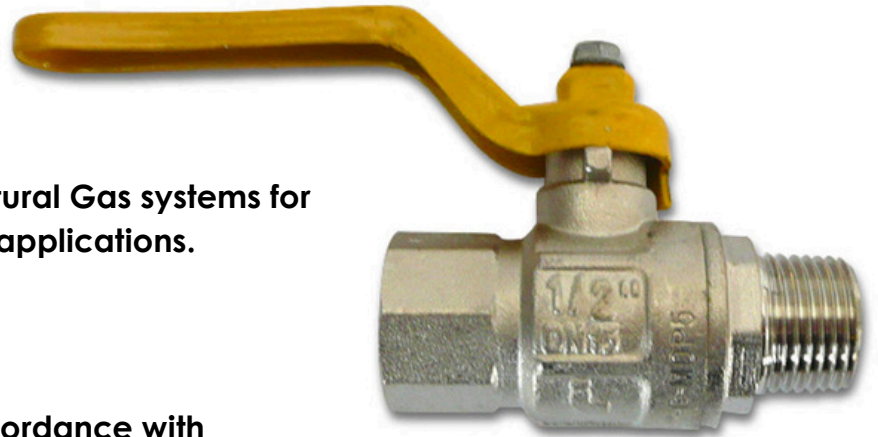
Full flow Gas ball valve for LPG and Natural Gas systems for residential, commercial and industrial applications.

Specifications:

- AGA approved
- Designed and Manufactured in accordance with AS 4617-2018
- Working temperature Range: -20°C to 60°C
- Maximum working pressure: 2100 kPa
- Suitable for: LPG and Natural Gas

Available in the following sizes:

- 1/4" (BV7104)
- 3/8" (BV7106)
- 1/2" (BV7112)
- 3/4" (BV7120)
- 1" (BV7125)
- 1 1/4" (BV7132)
- 1 1/2" (BV7138)
- 2" (BV7150)



	1/4"	3/8"	1/2"	3/4"	1"	1 1/4"	1 1/2"	2"
DN	8	10	15	20	25	32	40	50
A	56,9	58,9	68	75,5	90,5	105	115,5	135,5
B	23,5	24	30,5	37	45,5	58	71	85
C	37,3	37,3	48,8	54,8	58,8	75	90,3	97
D	80	80	88,5	113	113	138	157,8	157,8
E	8	10	15	20	25	32	39	50
F	11	11,4	15	16,3	19,1	21,4	21,4	25,7
G	11	11,5	15	16,5	19	21,5	21,5	26
CH	18	21	25	31	38	47	54	66

*Installation must comply with AS/NZS 5601



Where would we be without Gas?